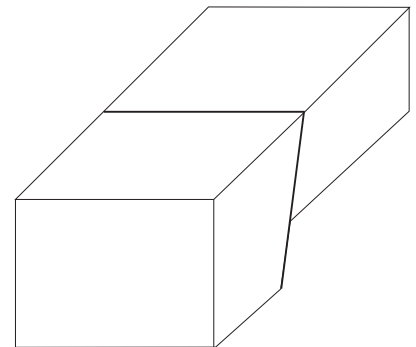
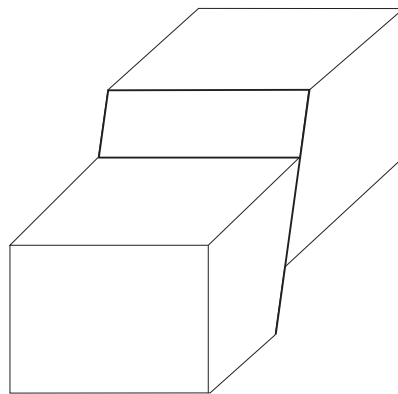
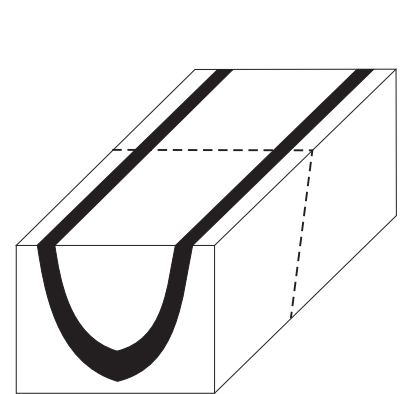
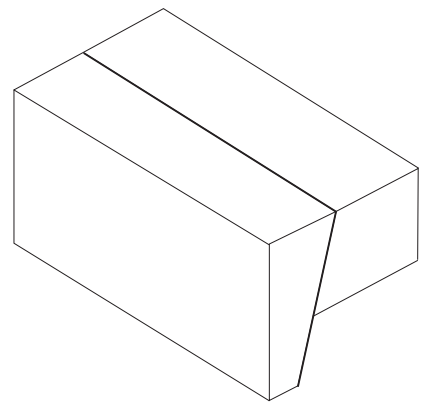
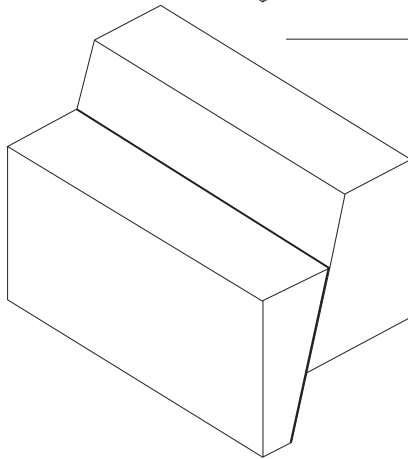
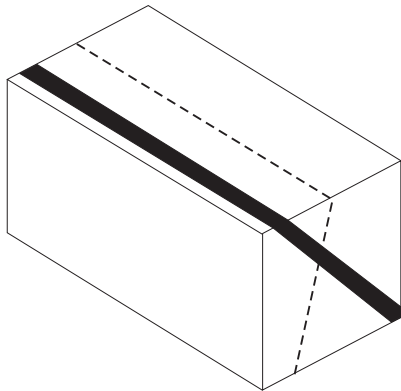
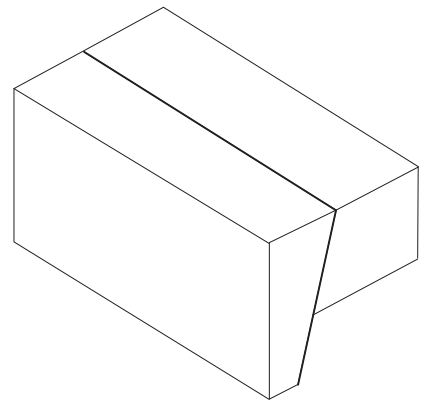
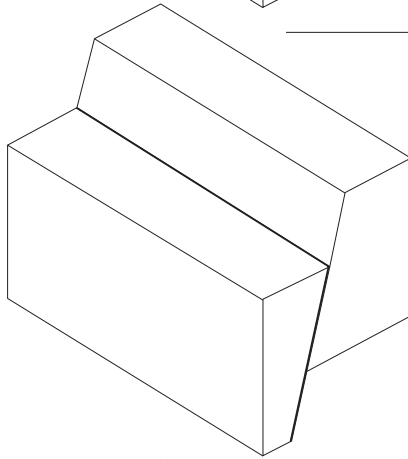
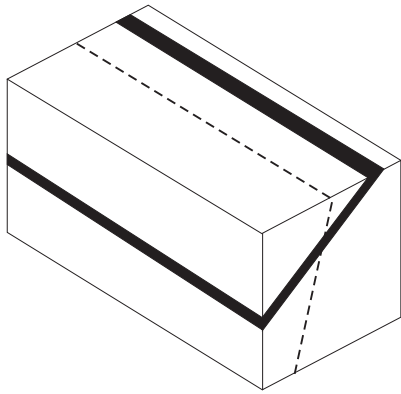
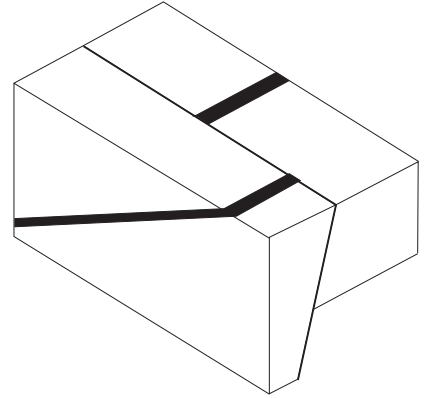
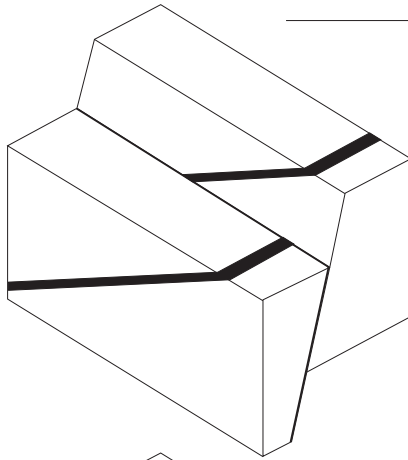
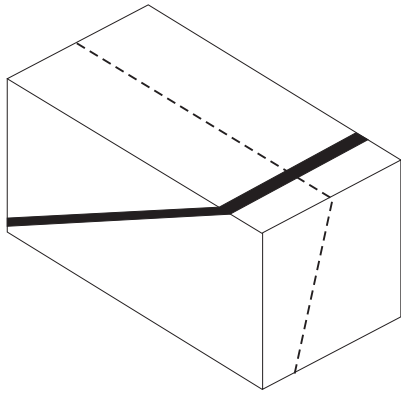


ZADATAK 5.



STUDENT _____